

**E10** | Compact Excavators

## Weights

Operating weight with standard bucket, excluding operator	1176 kg
Ground pressure	29.70 kPa

## Engine

Make / model	Kubota / D722-E2B-BCZ-6 (TIER2)
Fuel	Diesel
Number of cylinders	3
Displacement	0.72 L
Maximum power at 2000 RPM (ISO 9249)	7.4 kW
Torque at 1600 PM (SAE Net)	39.1 Nm

## Performance

Digging force, dipperstick (ISO 6015)	5550 N
Digging force, bucket (ISO 6015)	8294 N
Drawbar pull	9905 N
Travel speed (low range)	2.1 km/h
Travel speed (high range)	3.1 km/h

## Hydraulic System

Pump type	Double gear pump
Pump capacity	10.00 L/min
Auxiliary flow	20.00 L/min
Auxiliary relief	184.0-192.0 bar
Relief pressure for implement circuit	184.0-192.0 bar

## Slew System

Boom swing, left	70°
Boom swing, right	70°
Slew rate	9.0 RPM

## Fluid Capacities

Cooling system	3.00 L
Engine lubrication plus oil filter	3.50 L
Fuel reservoir	16.00 L
Hydraulic system	10.10 L

## Environmental

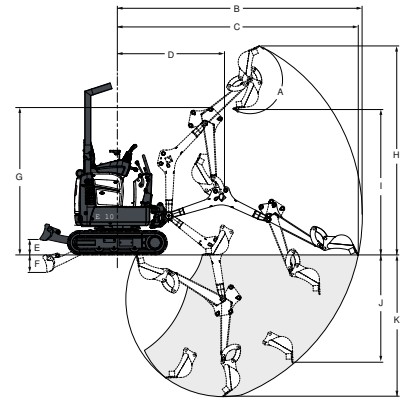
Noise level LpA(EU Directive 2000/14/EC)	80 dB(A)
Noise level LWA(EU Directive 2000/14/EC)	93 dB(A)

## Standard Features

710 mm dozer blade / 1100 mm extended	Spark arrester muffler
180 mm rubber track	Suspension seat with high back
Auxiliary hydraulics with Quick Couplers	Two-speed travel
Control console locks	TOPS canopy <sup>1</sup>
Horn	Vandalism protection
Hydraulically expandable undercarriage from 710 to 1100 mm	Work lights
Retractable seat belt	Warranty: 12 months, 2000 hours (whichever occurs first)

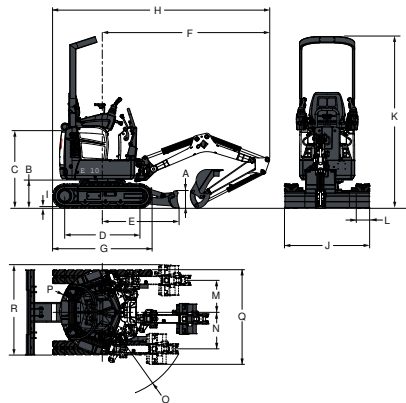
1. Tip Over Protective Structure (TOPS) – Meets requirements of ISO 12117

## Working Range



(A)	196°	(G)	1899.0 mm
(B)	3145.0 mm	(H)	2685.0 mm
(C)	3093.0 mm	(I)	1818.0 mm
(D)	1374.0 mm	(J)	1383.0 mm
(E)	196.0 mm	(K)	1820.0 mm
(F)	230.0 mm		

## Dimensions



(A)	220.0 mm	(I)	16.0 mm
(B)	363.0 mm	(J)	710.0 mm
(C)	992.0 mm	(K)	2209.0 mm
(D)	968.0 mm	(L)	180.0 mm
(E)	987.0 mm	(M)	413.0 mm
(F)	2153.0 mm	(N)	471.0 mm
(G)	1280.0 mm	(O)	1121.0 mm
(H)	2793.0 mm	(P)	550.0 mm

## Options

Auxiliary double action	Keyless start
Beacon kit	Travel motion alarm
Demolition kit	Strobe



[www.bobcat.eu](http://www.bobcat.eu)