



Bobcat®

Man Platform

Attachments



Safety and productivity in one basket!

■ Safety

Emergency: Unique to Bobcat, in case of an emergency the platform can be retracted and brought back to ground level through a safety box located in both the platform and in the back of the machine.

Man platform detector: it tells the machine when the platform is being used, activating the automatic safety features. In addition, the overload sensor blocks all platform movements as soon as the weight limit is reached.

Inward angled handrails and security harness rings ensure maximum operator protection at full productivity.

■ Productivity

Storage space: Although very compact, the platforms still have space under the remote control unit for storage.

Manoeuvrability: Capable of rotating 90° in either direction, the platform is manoeuvred through a remote control which can also be used to operate other attachments.



Reliability: The solid steel construction boosts reliability, while a low-battery signal and back-up battery ensure operators are never stranded. In addition, the Quick-Tach system reduces downtime for exchanging attachments.



2 doors: on both sides of the platform they give easy access and assure maximum safety to the operator.



Just 10 seconds to slide the platform extensions into position and lock them through spring pins for safe use!





Choose between the 3-person platform measuring 2.4 m (extendible to 4 m in use) and the 1-m long, 2-person platform.



Benefits

The use of a man platform provides flexibility in work, doing away with scaffolding and safety nets and simplifying and speeding up the job.

Applications

- Municipalities
- Construction
- Industry

Approved machine

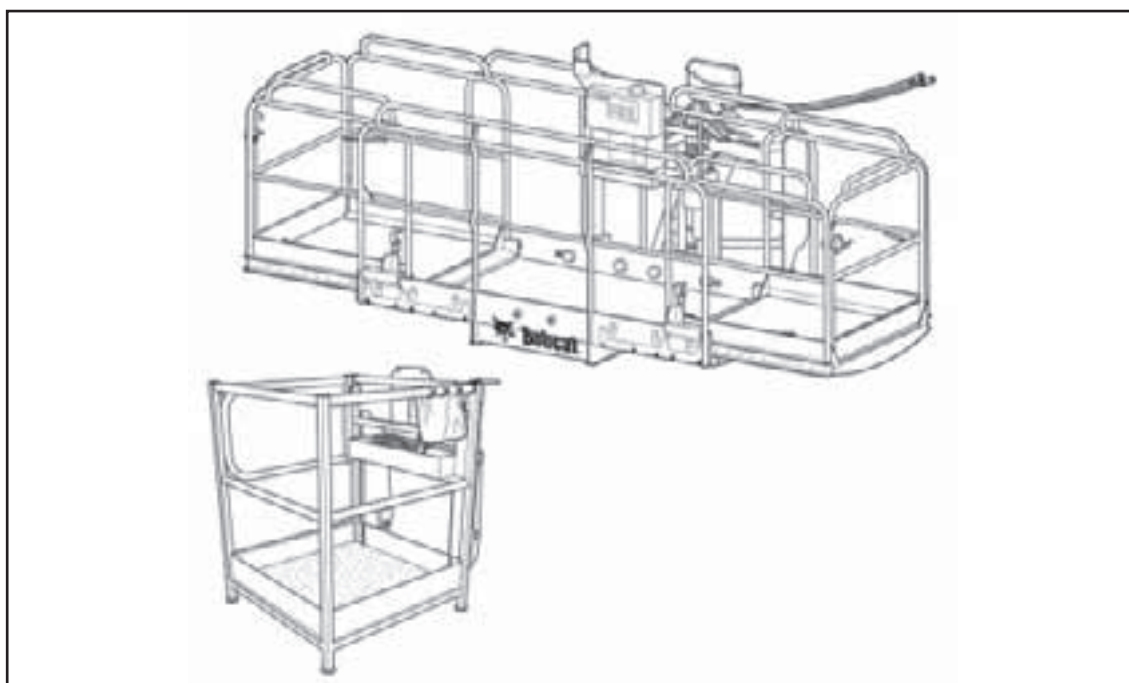
	Man platform 1 m	Man platform 2.4 m / 4 m
Approved for telescopic	35120SL MP, 40140, 40170	35120SL MP, 40140, 40170

Weights and dimensions

	Man platform 1 m	Man platform 2.4 m / 4 m
Operating weight (kg)	181	630
Overall width (normal / extended) (mm)	1025	2400 / 4000
Overall height (mm)	1234	1493
Overall length (mm)	1271	2329

Performance

	Man platform 1 m	Man platform 2.4 m / 4 m
Max load (kg)	220	500
Max persons	2	3



www.bobcat.eu