



**Bobcat®**

**Landscape rake**

Attachments



## Main features

- Picks up rocks down to 19 mm and larger, and most 13 mm rocks
- Hydraulic cylinder opens top cover - for easier dumping, and also allows the bucket and cutting edge to be used to push and scrape debris
- Rake bars provide better leveling by providing longer ground contact
- Hardened teeth for longer wear
- Side skis, which are adjustable, provide depth control and leave only a slight "knife-edge" mark in the finished surface

## Applications

- Landscaping

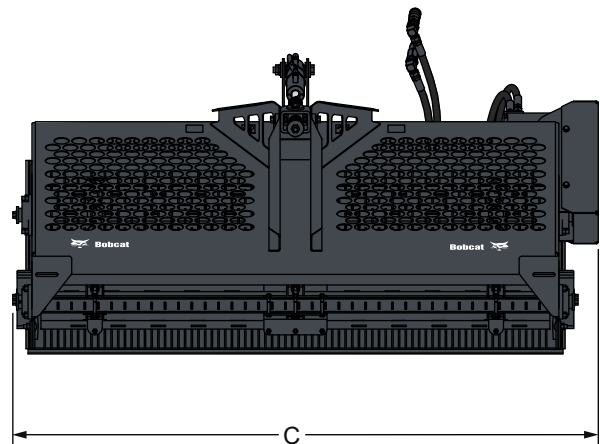
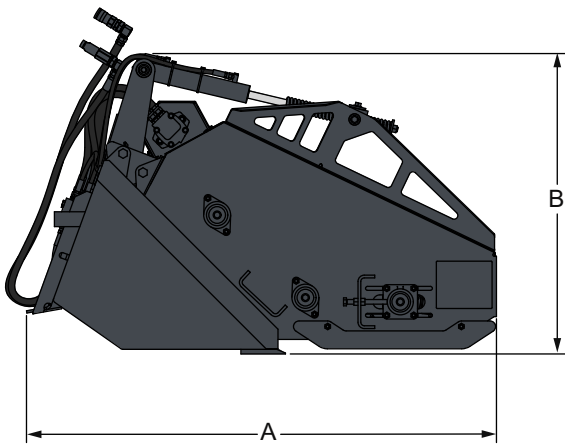
	Item number	Compatible with loader
Landscape rake 5B (152 cm)	6709107	S130, S150, S160, S175, S185, S205, T140, T190
Landscape rake 6B (183 cm)	6710630	S150, S160, S175, S185, S205, S220, S250, S300, S330, A300, T190, T250, T300, T320

## Weights and dimensions

	Operating weight (kg)	Shipping weight (kg)	Overall Width (C) (mm)	Overall Height (B) (mm)	Overall Length (A) (mm)
Landscape rake 5B (152 cm)	458	531	1693	1027	1607
Landscape rake 6B (183 cm)	513	590	1998	1027	1607

## Characteristics and performance

	Working width (mm)	N° of Tooth Bars	Total n° of Teeth	Bucket capacity (m³)
Landscape rake 5B (152 cm)	1524	12	384	0.34
Landscape rake 6B (183 cm)	1829	12	468	0.4



[www.bobcat.eu](http://www.bobcat.eu)