



Bobcat®

Planer

Attachments



Benefits

Equipped with direct-drive, high-torque hydraulic motors, these low maintenance attachments efficiently mill asphalt or concrete. The planers feature hydraulic side-shift for planing close to walls and curbs. Consistent depth control and ski depth visible from the operator seat. Make precise adjustments with fingertip controls.

Applications

- Construction
- Road repairs

Approved machines

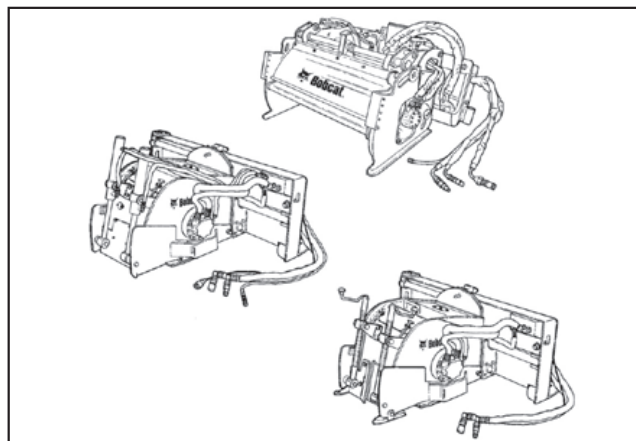
	14" / 36 cm Standard-Flow Planer	18" / 45 cm High-Flow Planer	24" / 61 cm High-Flow Planer	40" / 100 cm High-Flow Planer	16" / 41 cm Surface Planer
Approved for loaders:	S130, S150, S160, S175, S185, S205, S220, S250, S300, A300, T140, T190, T250, T300	S160H, S175H, S185H, S205H, S220H, S250H, S300H, A300H, T190H, T250H, T300H	S160H, S175H, S185H, S205H, S220H, S250H, S300H, A300H, T190H, T250H, T300H	S220H, S250H, S300H, A300H, T250H, T300H	S160H, S175H, S185H, S205H, S220H, S250H, S300H, A300H, T190H, T250H, T300H

Weights and dimensions

	14" / 36 cm Standard-Flow Planer	18" / 45 cm High-Flow Planer	24" / 61 cm High-Flow Planer	40" / 100 cm High-Flow Planer	16" / 41 cm Surface Planer
Operating weight (kg)	662	701	805	1043	723
Overall width (mm)	1651	1651	1651	1727	1651
Overall height (mm)	711	711	711	813	711
Overall length (mm)	1278	1278	1278	1118	1278

Performance

	14" / 36 cm Standard-Flow Planer	18" / 45 cm High-Flow Planer	24" / 61 cm High-Flow Planer	40" / 100 cm High-Flow Planer	16" / 41 cm Surface Planer
Cutting width (with std drum) (mm)	356	457	610	1016	406
Cutting depth (with std drum) (mm)	0 – 152	0 – 152	0 – 152	0 – 130	0 – 152
Max. oscillation angle (°)	± 15	± 15	± 15	± 8	± 15
Side-shift (mm)	660	660	660	650	660
Planing distance next to curb (mm)	flush	flush	flush	65	flush



www.bobcat.eu